

Circuit theory for decoherence in superconducting charge qubits

Guido Burkard

IBM T. J. Watson Research Center, P. O. Box 218, Yorktown Heights, New York 10598, USA

(Received 26 August 2004; revised manuscript received 16 November 2004; published 27 April 2005)

Based on a network graph analysis of the underlying circuit, a quantum theory of arbitrary superconducting charge qubits is derived. Describing the dissipative elements of the circuit with a Caldeira-Leggett model, we calculate the decoherence and leakage rates of a charge qubit. The analysis includes decoherence due to a dissipative circuit element such as a voltage source or the quasiparticle resistances of the Josephson junctions in the circuit. The theory presented here is dual to the quantum circuit theory for superconducting flux qubits. In contrast to spin-boson models, the full Hilbert space structure of the qubit and its coupling to the dissipative environment are taken into account. Moreover, both self- and mutual inductances of the circuit are fully included.

DOI: 10.1103/PhysRevB.71.144511

PACS number(s): 74.50.+r, 03.67.Lx, 72.70.+m, 85.25.Dq

I. INTRODUCTION

Various types of quantum bits with Josephson junctions in superconducting (SC) circuits are now investigated in theoretical and experimental studies.^{1,2} The two types of macroscopic SC qubits, the charge³⁻⁸ and flux⁹⁻¹² qubits, are distinguished by the relative size of the charging energy E_C and the Josephson energy E_J of their junctions.¹³ In flux qubits, also known as persistent-current qubits, the Josephson energy dominates, $E_J \gg E_C$, and the state of the qubit is represented as the orientation of a persistent current in a SC loop.⁹⁻¹² In contrast to flux qubits, charge qubits operate in the regime $E_C \gg E_J$, and are represented as the charge state of a small SC island (presence, $|1\rangle$, or absence, $|0\rangle$, of an extra Cooper pair) which is capacitively coupled to SC leads³⁻⁸ (Fig. 1). The quantronium⁷ is a charge qubit that operates in a regime close to $E_C \approx E_J$.

Both types of SC qubits suffer from decoherence that is caused by several sources. In flux qubits, the Johnson-Nyquist noise from lossy circuit elements (e.g., current sources) has been identified as one important cause of decoherence.¹⁸⁻²⁰ A systematic theory of decoherence of a qubit from such dissipative elements, based on the network graph analysis²¹ of the underlying SC circuit, was developed for SC flux qubits,²² and successfully applied to study the effect of asymmetries in a persistent-current qubit.²³ Decoherence in charge qubits has previously been investigated using the spin-boson model.^{1,24}

Here, we develop a general network graph theory for charge qubits and give examples for its application. As in the case of the circuit theory for flux qubits, we are not restricted to a Hilbert space of the SC device which is *a priori* truncated to two levels only. In other words, in contrast to the spin-boson model, our theory is capable of describing *leakage* errors,²⁵ i.e., unwanted transitions to states that are outside the subspace spanned by the logical qubit states $|0\rangle$ and $|1\rangle$. The description presented here is an extension of earlier results on the SC flux qubits²² and has potential applications to hybrid charge-flux qubits.⁷ The role of the self- and mutual inductances in SC charge qubits has been previously studied,²⁶ in particular as a means of coupling two SC charge qubits.^{1,24} Here, we fully and systematically take into ac-

count self- and mutual inductances in the underlying SC circuit.

While the circuit theory developed in Secs. II-IV can be applied to any SC charge qubit, its usefulness will be illustrated with some specific examples of charge qubit circuits that have been studied before in Sec. V, where we reproduce and extend some previously known results. However, we stress that the circuit theory results are more general than previously applied methods for the following reasons. (i) The derived Hamiltonian is not *a priori* truncated to a two-dimensional subspace, which allows us to treat leakage and to *derive* the matrix element of the system-bath coupling. (ii) The capacitance matrix of the circuit is fully taken into account, and no assumption about the relative magnitude of gate and Josephson capacitances has to be made. (iii) The inductance matrix of the circuit is fully taken into account.

Any number of dissipative elements Z (external impedances, resistances) can be included in the circuit theory. In our treatment of the system-bath Hamiltonian and the decoherence and relaxation rates in Sec. IV, we choose to restrict ourselves to the case of a single impedance Z in order to keep the notation simple. However, the analysis can readily be extended to multiple impedances in analogy to SC flux qubits.²⁷

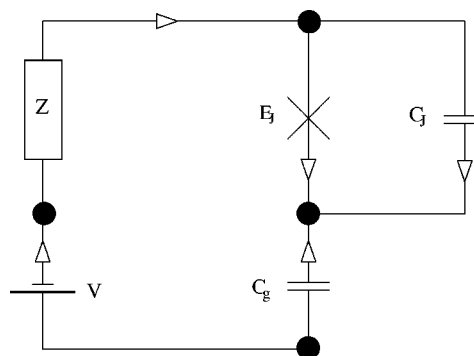


FIG. 1. Circuit graph of a single voltage-biased charge box. Branches represent a Josephson junction (E_J), capacitances (C_j and C_g), a voltage source V , and the impedance Z . The nodes are shown as black dots; the node connecting the junction (E_J) to the gate capacitance C_g represents the SC island.

II. NETWORK GRAPH THEORY

The purpose of this section is to derive Kirchoff's laws and the current-voltage relations (CVRs) for the circuit of a general SC charge qubit in an appropriate form for their later use in the derivation of the classical equations of motion of the circuit (Sec. III).

Our analysis (see also Ref. 22) starts with the representation of the SC circuit as a directed graph, in which the branches b_1, b_2, \dots, b_B represent one of the following lumped circuit elements: a Josephson junction, inductance, capacitance, voltage source, or an external impedance (e.g., a resistance). The circuit graph of a single, voltage-biased charge box in Fig. 1 is a simple example of a circuit graph. In our examples, we neglect the quasiparticle resistance of the junctions because it makes the analysis simpler and because they are typically less important than the impedances of the voltage sources; however, the shunt resistances can easily be included as additional impedances in the circuit. The next step is to find a *tree* of the graph, i.e., a loop-free subgraph which connects all nodes (for each connected piece of the graph, we choose a connected subtree). The branches f_1, f_2, \dots, f_F outside the tree are the so-called *chords*; each chord f_i , when added to the tree, gives rise to a unique loop, a *fundamental loop* \mathcal{F}_i of the circuit. The topological information about the graph which is of importance for our analysis can be represented in the fundamental loop matrix ($i = 1, \dots, F; j = 1, \dots, B$),

$$\mathbf{F}_{ij}^{(L)} = \begin{cases} 1 & \text{if } b_j \in \mathcal{F}_i \text{ (same direction),} \\ -1 & \text{if } b_j \in \mathcal{F}_i \text{ (opposite direction),} \\ 0 & \text{if } b_j \notin \mathcal{F}_i, \end{cases} \quad (1)$$

where the direction of the fundamental loop \mathcal{F}_i is defined to be opposite to the direction of its defining chord f_i . Accordingly, the currents $\mathbf{I} = (I_1, \dots, I_B)$ and voltages $\mathbf{V} = (V_1, \dots, V_B)$ associated with the branches $1, \dots, B$ of the graph are split up into tree and chord currents and voltages,

$$\mathbf{I} = (\mathbf{I}_{\text{tr}}, \mathbf{I}_{\text{ch}}), \quad \mathbf{V} = (\mathbf{V}_{\text{tr}}, \mathbf{V}_{\text{ch}}). \quad (2)$$

With this ordering, the fundamental loop matrix assumes the form

$$\mathbf{F}^{(L)} = (-\mathbf{F}^T | \mathbf{1}), \quad (3)$$

and we will simply refer to the matrix \mathbf{F} in the following. Using Eq. (3), we write Kirchoff's laws in the following useful form:²²

$$\mathbf{F}\mathbf{I}_{\text{ch}} = -\mathbf{I}_{\text{tr}}, \quad (4)$$

$$\mathbf{F}^T \mathbf{V}_{\text{tr}} = \mathbf{V}_{\text{ch}} - \dot{\Phi}_{\text{x}}, \quad (5)$$

where $\Phi_{\text{x}} = (\Phi_1, \dots, \Phi_F)$ denote the externally applied magnetic fluxes threading loops $1, \dots, F$ of the circuit. The partition of branch types into tree and chord branches is *dual* to the flux qubit case,²² i.e., the roles of tree and chord branches are interchanged.

Before we proceed, we summarize the assumptions about the circuit that will be used in the following.

(i) There are no loops containing nothing else than Josephson junctions (J), external impedances (Z), and voltage sources (V). This assumption is physically motivated because all loops have a finite self-inductance.

(ii) Voltage sources (V) and impedances (Z) are not inductively shunted.

(iii) There are sufficiently many capacitors (C) in the circuit to independently shunt all inductors. A more precise form of this requirement is that the capacitance matrix \mathbf{C} has full rank (see below).

Using assumption (i), we may split up the current and voltage vectors as

$$\mathbf{I}_{\text{tr}} = (\mathbf{I}_J, \mathbf{I}_L, \mathbf{I}_V, \mathbf{I}_Z), \quad \mathbf{I}_{\text{ch}} = (\mathbf{I}_{C_J}, \mathbf{I}_C, \mathbf{I}_K), \quad (6)$$

$$\mathbf{V}_{\text{tr}} = (\mathbf{V}_J, \mathbf{V}_L, \mathbf{V}_V, \mathbf{V}_Z), \quad \mathbf{V}_{\text{ch}} = (\mathbf{V}_{C_J}, \mathbf{V}_C, \mathbf{V}_K). \quad (7)$$

The chord current and voltage vectors \mathbf{I}_{ch} and \mathbf{V}_{ch} in Eqs. (6) and (7) contain the branch currents and voltages of the capacitors (C_J, C) and chord inductors (K); the tree current and voltage vectors \mathbf{I}_{tr} and \mathbf{V}_{tr} contain the branch currents and voltages of tree inductors (L), Josephson junctions (J), external impedances (Z), and bias voltage sources (V).²⁸ The loop matrix \mathbf{F} then acquires the block form,

$$\mathbf{F} = \begin{pmatrix} 1 & \mathbf{F}_{JC} & \mathbf{F}_{JK} \\ \mathbf{0} & \mathbf{F}_{LC} & \mathbf{F}_{LK} \\ \mathbf{0} & \mathbf{F}_{VC} & \mathbf{F}_{VK} \\ \mathbf{0} & \mathbf{F}_{ZC} & \mathbf{F}_{ZK} \end{pmatrix}. \quad (8)$$

The form of the first column in Eq. (8) reflects the fact that the C_J capacitances are (by definition) shunted in parallel to the Josephson junctions. Moreover, assumption (ii) above implies $\mathbf{F}_{VK} = \mathbf{F}_{ZK} = \mathbf{0}$. In order to derive the equations of motion, we formally define the branch charges and fluxes ($X = C, K, J, L, Z, V$),

$$\mathbf{I}_X(t) = \dot{\mathbf{Q}}_X(t), \quad (9)$$

$$\mathbf{V}_X(t) = \dot{\Phi}_X(t), \quad (10)$$

where the formal fluxes of the Josephson branches are the SC phase differences across the junctions, according to the second Josephson relation,

$$\frac{\Phi_J}{\Phi_0} = \frac{\varphi}{2\pi}, \quad (11)$$

with $\Phi_0 = h/2e$. The current-voltage relations (CVRs) of the Josephson, capacitance, and external impedance branches are

$$\mathbf{I}_J = \mathbf{I}_c \sin \varphi = \mathbf{I}_c \sin \left(2\pi \frac{\Phi_J}{\Phi_0} \right), \quad (12)$$

$$\mathbf{Q}_C = \mathbf{C}\mathbf{V}_C, \quad (13)$$

$$\mathbf{V}_Z = \mathbf{Z} * \mathbf{I}_Z, \quad (14)$$

where the convolution is defined as $(\mathbf{f} * \mathbf{g})(t) = \int_{-\infty}^t \mathbf{f}(t - \tau) \mathbf{g}(\tau) d\tau$. The CVR for the inductive branches has the following matrix form:

$$\begin{pmatrix} \Phi_L \\ \Phi_K \end{pmatrix} = \begin{pmatrix} \mathbf{L} & \mathbf{L}_{LK} \\ \mathbf{L}_{LK}^T & \mathbf{L}_K \end{pmatrix} \begin{pmatrix} \mathbf{I}_L \\ \mathbf{I}_K \end{pmatrix} \equiv \mathbf{L}_t \begin{pmatrix} \mathbf{I}_L \\ \mathbf{I}_K \end{pmatrix}, \quad (15)$$

where \mathbf{L} and \mathbf{L}_K are the self-inductances of the chord and tree branch inductors, respectively, off-diagonal elements describing the mutual inductances among chord inductors and tree inductors separately, and \mathbf{L}_{LK} is the mutual inductance matrix between tree and chord inductors. Since the total inductance matrix is symmetric and positive, i.e., $\mathbf{v}^T \mathbf{L}_t \mathbf{v} > 0$ for all real vectors \mathbf{v} , its inverse exists, and we find

$$\begin{pmatrix} \mathbf{I}_L \\ \mathbf{I}_K \end{pmatrix} = \begin{pmatrix} \bar{\mathbf{L}}^{-1} & -\mathbf{L}^{-1} \mathbf{L}_{LK} \bar{\mathbf{L}}_K^{-1} \\ -\mathbf{L}_K^{-1} \mathbf{L}_{LK}^T \bar{\mathbf{L}}^{-1} & \bar{\mathbf{L}}_K^{-1} \end{pmatrix} \begin{pmatrix} \Phi_L \\ \Phi_K \end{pmatrix} \equiv \mathbf{L}_t^{-1} \begin{pmatrix} \Phi_L \\ \Phi_K \end{pmatrix} \quad (16)$$

with the definitions

$$\bar{\mathbf{L}} = \mathbf{L} - \mathbf{L}_{LK} \mathbf{L}_K^{-1} \mathbf{L}_{LK}^T, \quad (17)$$

$$\bar{\mathbf{L}}_K = \mathbf{L}_K - \mathbf{L}_{LK}^T \mathbf{L}^{-1} \mathbf{L}_{LK}. \quad (18)$$

III. CLASSICAL EQUATION OF MOTION

In this section, we derive the classical equation of motion of the dynamical variables $\Phi = (\Phi_J, \Phi_L)$ of the circuit.

We now combine Kirchhoff's laws, Eqs. (4) and (5), and the CVRs, Eqs. (12)–(18), in order to derive the classical equations of motion of the circuit. These will then be used in Sec. IV to find the Hamiltonian suitable for quantization. The details of the derivation are explained in Appendix A.

Equations (A3) and (A9) can be summarized as

$$\mathcal{C} \dot{\Phi} = \mathbf{Q} - \mathbf{C}_V \mathbf{V} - \mathcal{F}_C \mathbf{C}_Z * \mathbf{V}_C, \quad (19)$$

with the combined flux vector $\Phi = (\Phi_J, \Phi_L) = (\Phi_0 \varphi / 2\pi, \Phi_L)$, and the canonical charge

$$\mathbf{Q} = - \begin{pmatrix} \mathbf{Q}_J \\ \mathbf{Q}_L \end{pmatrix} - \mathcal{F}_K \mathbf{Q}_K. \quad (20)$$

Note that in the SC charge qubits studied in Ref. 6, the Josephson junctions lead to (otherwise only capacitively coupled) SC islands, with the consequence that there are no chord inductors (K), and $\mathbf{Q} = -(\mathbf{Q}_J, \mathbf{Q}_L)^T$. However, the qantrium circuits,⁷ which have hybrid charge and flux nature, cannot be described without chord inductors. In the following, we will derive our theory for the most general case including chord inductors, but further below, we will also discuss the much simpler special case without chord inductors. In Eqs. (19) and (20), we have also introduced the notation

$$\mathcal{F}_X = \begin{pmatrix} \mathbf{F}_{JX} \\ \mathbf{F}_{LX} \end{pmatrix} \quad (21)$$

for $X = C, K$, and the capacitance matrices

$$\mathcal{C} = \begin{pmatrix} \mathbf{C}_{\text{tot}} & \mathbf{C}_{JL} \\ \mathbf{C}_{JL}^T & \mathbf{C}_L \end{pmatrix} \equiv \begin{pmatrix} \mathbf{C}_J & 0 \\ 0 & 0 \end{pmatrix} + \mathcal{F}_C \mathbf{C} \mathcal{F}_C^T, \quad (22)$$

$$\mathbf{C}_V = \begin{pmatrix} \mathbf{C}_{JV} \\ \mathbf{C}_{LV} \end{pmatrix} \equiv \mathcal{F}_C \mathbf{C} \mathcal{F}_{VC}^T, \quad (23)$$

$$\mathbf{C}_Z(\omega) = i\omega \mathbf{C} \mathcal{F}_{ZC}^T \mathbf{Z}(\omega) \mathbf{F}_{ZC} \mathbf{C}. \quad (24)$$

We can further rewrite the dissipative term in Eq. (19) by using Eq. (5) (capacitance part), solving for \mathbf{V}_C , and substituting the solution back into Eq. (19), with the result

$$(\mathcal{C} + \mathcal{C}_Z) * \dot{\Phi} = \mathbf{Q} - \mathbf{C}_V \mathbf{V}, \quad (25)$$

where we have introduced

$$\mathcal{C}_Z(\omega) = \bar{\mathbf{m}} \bar{\mathbf{C}}_Z(\omega) \bar{\mathbf{m}}^T, \quad (26)$$

$$\bar{\mathbf{m}} = \mathcal{F}_C \mathbf{C} \mathcal{F}_{ZC}^T = \begin{pmatrix} \bar{\mathbf{m}}_J \\ \bar{\mathbf{m}}_L \end{pmatrix}, \quad (27)$$

$$\bar{\mathbf{C}}_Z(\omega) = i\omega \mathbf{Z}(\omega) [1 + \mathbf{F}_{ZC} \mathbf{C} \mathcal{F}_{ZC}^T i\omega \mathbf{Z}(\omega)]^{-1}. \quad (28)$$

Using the symmetry of $\mathbf{C}_Z(\omega)$, we can show that $\bar{\mathbf{C}}_Z(\omega)$ is also a symmetric matrix.

We obtain the equation of motion from Eq. (25) by taking the derivative with respect to time, and using Eq. (9) with $X = K, L$ and Eq. (16),

$$(\mathcal{C} + \mathcal{C}_Z) * \ddot{\Phi} = \dot{\mathbf{Q}} = - \frac{\partial U}{\partial \Phi}, \quad (29)$$

with the potential

$$U(\Phi) = -\mathbf{L}_J^{-1} \cos \varphi + \frac{1}{2} \Phi^T \mathbf{M}_0 \Phi + \Phi^T \mathbf{N} \Phi_x, \quad (30)$$

where $\Phi = (\Phi_0 \varphi / 2\pi, \Phi_L)$ and

$$\mathbf{M}_0 = \mathcal{G} \mathbf{L}_t^{-1} \mathcal{G}^T, \quad \mathbf{N} = \mathcal{G} \mathbf{L}_t^{-1} (0 \ 1_K)^T, \quad (31)$$

with the $(N_L + N_K) \times (N_J + N_L)$ block matrix

$$\mathcal{G} = \begin{pmatrix} 0 & -\mathbf{F}_{JK} \\ \mathbf{1}_L & -\mathbf{F}_{LK} \end{pmatrix}. \quad (32)$$

Using $\mathbf{L}_t^T = \mathbf{L}_t$, we observe that $\mathbf{M}_0^T = \mathbf{M}_0$. In the absence of chord inductors (K), we find $\Phi^T \mathbf{M}_0 \Phi = \Phi_L^T \mathbf{L}^{-1} \Phi_L$ and $\mathbf{N} = \mathbf{0}$, whereas in the absence of tree inductors (L), we obtain $\frac{1}{2} \Phi^T \mathbf{M}_0 \Phi + \Phi^T \mathbf{N} \Phi_x = \frac{1}{2} (\mathbf{F}_{JK}^T \varphi + \Phi_x)^T \mathbf{L}_K^{-1} (\mathbf{F}_{JK}^T \varphi + \Phi_x) + \text{const.}$

By bringing the dissipative term in Eq. (29) to the right-hand side and using assumption (iii), we find the equation of motion

$$\mathcal{C} \ddot{\Phi} = - \frac{\partial U}{\partial \Phi} - \mathcal{C}_d * \mathcal{C}^{-1} \dot{\mathbf{Q}}, \quad (33)$$

with the dissipation matrix

$$\mathcal{C}_d(\omega) = [1 + \mathcal{C}_Z(\omega) \mathcal{C}^{-1}]^{-1} \mathcal{C}_Z(\omega) \equiv \bar{\mathbf{m}} \mathbf{K}(\omega) \bar{\mathbf{m}}^T, \quad (34)$$

and the frequency-dependent kernel

$$\mathbf{K}(\omega) = \bar{\mathbf{C}}_Z(\omega) [1 + \bar{\mathbf{m}}^T \mathcal{C}^{-1} \bar{\mathbf{m}} \bar{\mathbf{C}}_Z(\omega)]^{-1}. \quad (35)$$

Since both $\bar{\mathbf{C}}_Z(\omega)$ and \mathcal{C} are symmetric matrices, we find that $\mathbf{K}(\omega)$, and thus also $\mathcal{C}_d(\omega)$, are symmetric. Moreover, we

know that $\mathcal{C}_d(t)$ inherits two additional properties from $\mathbf{Z}(t)$: it is also real and causal, i.e., $\mathcal{C}_d(t)=0$ for $t<0$. In a perturbation expansion in \mathbf{Z}^2 , the lowest-order term in $\mathbf{K}(\omega)$ is simply $\mathbf{K}(\omega)=i\omega\mathbf{Z}(\omega)+O(\mathbf{Z})^2$.

In deriving Eq. (33), we have used assumption (iii) that the matrix \mathcal{C} has full rank, such that \mathcal{C}^{-1} exists. Since all junctions are capacitively shunted, we know that \mathbf{C}_{tot} has full rank, hence $N_J \leq \text{rank}\mathcal{C} \leq N_J + N_L$, where N_X is the number of branches of type X . The case $\text{rank}\mathcal{C} < N_J + N_L$ occurs if there are not sufficiently many capacitances in the circuit to independently shunt all inductors. In that case, Eq. (33), without the dissipative part, contains $l = N_J + N_L - \text{rank}\mathcal{C}$ constraints that can be used to eliminate l degrees of freedom. In the case of SC flux qubits,²² it was assumed that only the junctions are shunted by capacitors ($\text{rank}\mathcal{C} = N_J$), thus l is the number of tree inductors.

IV. QUANTUM THEORY

The purpose of this section is to derive the Hamiltonian of the circuit, including its dissipative elements, and then to quantize this Hamiltonian in order to have a description of the quantum dissipative dynamics of the circuit from which a master equation and, finally, the decoherence rates can be derived.

The Hamiltonian of the circuit,

$$\mathcal{H}_S = \frac{1}{2}(\mathbf{Q} - \mathbf{C}_V \mathbf{V})^T \mathcal{C}^{-1} (\mathbf{Q} - \mathbf{C}_V \mathbf{V}) + U(\Phi), \quad (36)$$

giving rise to the equation of motion (33) without dissipation ($\mathbf{Z}=\mathbf{0}$), can readily be quantized with the commutator rule

$$[\Phi_i, Q_j] = i\hbar \delta_{ij}. \quad (37)$$

A somewhat subtle point here is that while the inductor flux variables Φ_L are defined on an infinite domain, the Josephson flux variables $\Phi_J = (\Phi_0/2\pi)\varphi$ are defined on a compact domain since they are periodic with period Φ_0 . Upon imposing Eq. (37), this leads to charge operators \mathbf{Q}_L with a continuous spectrum and \mathbf{Q}_J with a discrete spectrum with eigenvalues $Q_{Ji} = 2en_i$, with n_i integer.²

In order to describe the dissipative dynamics of the SC circuit, we construct a Caldeira-Leggett Hamiltonian²⁹ $\mathcal{H} = \mathcal{H}_S + \mathcal{H}_B + \mathcal{H}_{SB}$ that reproduces the classical dissipative equation of motion Eq. (33). For simplicity, we will restrict ourselves to the case of a single impedance Z here, where a single bath of harmonic oscillators can be used to model the dissipative environment,

$$\mathcal{H}_B = \sum_{\alpha} \left(\frac{p_{\alpha}^2}{2m_{\alpha}} + \frac{1}{2} m_{\alpha} \omega_{\alpha}^2 x_{\alpha}^2 \right). \quad (38)$$

We choose the system-bath coupling to be of the form

$$\mathcal{H}_{SB} = \mathcal{C}^{-1} \bar{\mathbf{m}} \cdot \mathbf{Q} \sum_{\alpha} c_{\alpha} x_{\alpha} = \bar{\mathbf{m}} \cdot \mathcal{C}^{-1} \mathbf{Q} \sum_{\alpha} c_{\alpha} x_{\alpha}, \quad (39)$$

such that it reproduces the classical equation of motion Eq. (33), with a spectral density of the bath modes (for a derivation, see Appendix B),

$$J(\omega) = -\text{Im} K(\omega). \quad (40)$$

Note that the kernel K has become a scalar because we are now only dealing with a single external impedance.

From the Hamiltonian \mathcal{H} , the master equation for the evolution of the system density matrix can be derived.²² In the Born-Markov approximation, the matrix elements $\rho_{nm} = \langle n | \rho_S | m \rangle$, where $\mathcal{H}_S | n \rangle = \omega_n | n \rangle$, obey the Redfield equation³⁰

$$\dot{\rho}_{nm}(t) = -i\omega_{nm} \rho_{nm}(t) - \sum_{kl} R_{nmkl} \rho_{kl}(t), \quad (41)$$

with $\omega_{nm} = \omega_n - \omega_m$, and with the Redfield tensor,

$$R_{nmkl} = \delta_{lm} \sum_r \Gamma_{nrrk}^{(+)} + \delta_{nk} \sum_r \Gamma_{lrrm}^{(-)} - \Gamma_{lmnk}^{(+)} - \Gamma_{lmnk}^{(-)}, \quad (42)$$

where $(\Gamma_{lmnk}^{(+)})^* = \Gamma_{kmnl}^{(-)}$, and

$$\begin{aligned} \text{Re} \Gamma_{lmnk}^{(+)} &= \frac{1}{\hbar} (\mathbf{m} \cdot \mathbf{Q})_{lm} (\mathbf{m} \cdot \mathbf{Q})_{nk} J(|\omega_{nk}|) \frac{e^{-\hbar\beta\omega_{nk}/2}}{\sinh \hbar\beta|\omega_{nk}|/2}, \\ \text{Im} \Gamma_{lmnk}^{(+)} &= -\frac{1}{\hbar} (\mathbf{m} \cdot \mathbf{Q})_{lm} (\mathbf{m} \cdot \mathbf{Q})_{nk} \frac{2}{\pi} P \int_0^{\infty} d\omega \frac{J(\omega)}{\omega^2 - \omega_{nk}^2} \\ &\quad \times \left(\omega - \omega_{nk} \coth \frac{\hbar\beta\omega}{2} \right), \end{aligned} \quad (43)$$

and $\mathbf{m} = \mathcal{C}^{-1} \bar{\mathbf{m}}$.

The Redfield equation (41) can be derived for arbitrary SC circuits. The SC circuit can represent a single qubit or a number of qubits. In order to make connection with single-qubit experiments, we apply the theory to the case of a SC circuit representing a single qubit. Restricting ourselves to the two lowest levels and working in the secular approximation,²² the Redfield equation (41) turns into a Bloch equation with the relaxation (T_1) and decoherence (T_2) times,

$$\frac{1}{T_1} = \frac{4}{\hbar} |\langle 0 | \mathbf{m} \cdot \mathbf{Q} | 1 \rangle|^2 J(\omega_{01}) \coth \frac{\hbar\omega_{01}}{2k_B T}, \quad (44)$$

$$\frac{1}{T_2} = \frac{1}{2T_1} + \frac{1}{T_{\phi}}, \quad (45)$$

$$\frac{1}{T_{\phi}} = \frac{1}{\hbar} |\langle 0 | \mathbf{m} \cdot \mathbf{Q} | 0 \rangle - \langle 1 | \mathbf{m} \cdot \mathbf{Q} | 1 \rangle|^2 \left. \frac{J(\omega)}{\hbar\omega} \right|_{\omega \rightarrow 0} 2k_B T. \quad (46)$$

In the semiclassical approximation,²² $\langle 0 | \mathbf{Q} | 1 \rangle \approx (1/2)(\Delta/\omega_{01})\Delta\mathbf{Q}$ and $\langle 0 | \mathbf{Q} | 0 \rangle - \langle 1 | \mathbf{Q} | 1 \rangle \approx (\epsilon/\omega_{01})\Delta\mathbf{Q}$, where $\Delta\mathbf{Q} = \mathbf{Q}_0 - \mathbf{Q}_1$ is the ‘‘distance’’ between two localized low-energy classical charge states \mathbf{Q}_0 and \mathbf{Q}_1 , ϵ is the classical energy difference and Δ the tunneling amplitude between them, and $\omega_{01} = \sqrt{\Delta^2 + \epsilon^2}$ is the energy splitting between the two quantum eigenstates in this energy double well. Within this approximation, we find

$$\frac{1}{T_1} = \frac{1}{\hbar} |\mathbf{m} \cdot \Delta\mathbf{Q}|^2 \left(\frac{\Delta}{\omega_{01}} \right)^2 J(\omega_{01}) \coth \frac{\hbar\omega_{01}}{2k_B T}, \quad (47)$$

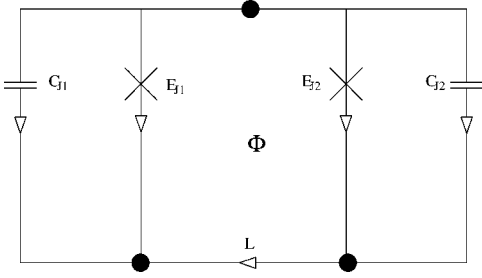


FIG. 2. A flux-controlled Josephson junction.

$$\frac{1}{T_\phi} = \frac{1}{\hbar} |\mathbf{m} \cdot \Delta \mathbf{Q}|^2 \left(\frac{\epsilon}{\omega_{01}} \right)^2 \frac{J(\omega)}{\hbar \omega} \Big|_{\omega \rightarrow 0} 2k_B T. \quad (48)$$

The leakage rates from the logical state $k=0,1$ to states $n=2,3,\dots$ outside the computational subspace can be estimated as

$$\frac{1}{T_L} = \frac{4}{\hbar} \sum_{n=2}^{\infty} |\langle k | \mathbf{m} \cdot \mathbf{Q} | n \rangle|^2 J(\omega_{nk}) \coth \frac{\hbar \omega_{nk}}{2k_B T}. \quad (49)$$

V. EXAMPLES

A. Single charge box

The voltage-biased charge box is shown in Fig. 1, where the inductance of the leads has been neglected for simplicity (no L and K branches). The tree of the graph is given by the Josephson, voltage source, and impedance branches. For the loop matrices, we simply find

$$\mathbf{F}_{JC} = \mathbf{F}_{VC} = \mathbf{F}_{ZC} = 1. \quad (50)$$

With the capacitances

$$\mathbf{C} \equiv \mathbf{C}_{\text{tot}} = \mathbf{C}_J + \mathbf{C}_g, \quad \mathbf{C}_V = \mathbf{C}_g, \quad (51)$$

we arrive at the Hamiltonian,

$$\mathcal{H}_S = \frac{(Q_J + C_g V)^2}{2C_{\text{tot}}} + E_J \cos \varphi. \quad (52)$$

The coupling to the environment is characterized by $\mathbf{m} = (\mathbf{C}_g / \mathbf{C}_{\text{tot}})$. As an example, we give here the relaxation and dephasing times, with $m = |\mathbf{m}| = C_g / C_{\text{tot}}$,

$$\frac{1}{T_1} = 2\pi m^2 4 |\langle 0 | n | 1 \rangle|^2 \frac{4 \text{Re } Z(\omega_{01})}{R_Q} \omega_{01} \coth \frac{\hbar \omega_{01}}{2k_B T}, \quad (53)$$

$$\frac{1}{T_\phi} = 2\pi m^2 |\langle 0 | n | 0 \rangle - \langle 1 | n | 1 \rangle|^2 \frac{4 \text{Re } Z(0)}{R_Q} \frac{2k_B T}{\hbar}, \quad (54)$$

where $n=Q/2e$ and $R_Q = h/e^2$. In the semiclassical limit, $\langle 0 | n | 1 \rangle \approx (1/2)(\Delta/\omega_{01})\Delta n$ and $\langle 0 | n | 0 \rangle - \langle 1 | n | 1 \rangle \approx (\epsilon/\omega_{01})\Delta n$. With $\Delta n \approx 1$, we reproduce the results in Ref. 1. Typical leakage rates are of the form of $1/T_1$, with the matrix element replaced by $|\langle 0 | n | k \rangle|$ and $|\langle 1 | n | k \rangle|$, where $k \geq 2$ labels a state other than the two-qubit states, and with ω_{01} replaced by ω_{lk} ($l=0,1$).

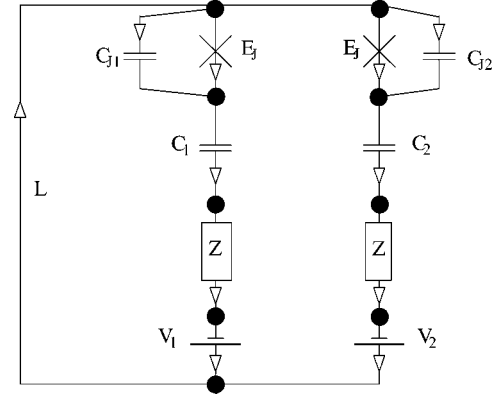


FIG. 3. Two inductively coupled charge boxes.

B. Flux-controlled Josephson junction

A flux-controlled Josephson junction is a SC loop with two junctions which acts as an effective Josephson junction with a flux-dependent Josephson energy.⁵ The circuit Fig. 2 we use to describe the flux-controlled junction comprises a chord inductance (K) with inductance L . The tree consists of the two Josephson branches. The only relevant loop matrix is $\mathbf{F}_{JK} = (1-1)^T$. In the limit $L \rightarrow 0$, and if $E_{J1} = E_{J2}$, we find $\mathbf{F}_{JK}^T \boldsymbol{\varphi} + \Phi_x = \varphi_1 - \varphi_2 + \Phi_x \rightarrow 0$, which leads us to the Hamiltonian

$$\mathcal{H}_S = \frac{Q^2}{2\bar{C}} - E_J(\Phi_x) \cos \varphi, \quad (55)$$

where $\varphi = \varphi_1 + \pi \Phi_x / \Phi_0$, $\bar{C} = C_{J1} + C_{J2}$, and $E_J(\Phi_x) = 2E_J \cos(2\pi \Phi_x / \Phi_0)$.

C. Inductively coupled charge boxes

We now turn to the case of two charge boxes of the type discussed in Sec. V A, coupled via an inductive loop,^{1,5} as shown in Fig. 3. Here, the tree consists of all Josephson, voltage source, and impedance branches, plus the inductive branch L , and the loop matrices are

$$\mathbf{F}_{JC} = \mathbf{F}_{VC} = \mathbf{F}_{ZC} = \begin{pmatrix} 1 & 0 \\ 0 & 1 \end{pmatrix}, \quad \mathbf{F}_{LC} = (1 \ 1). \quad (56)$$

With the two capacitance matrices $\mathbf{C} = \text{diag}(C_1, C_2)$ and $\mathbf{C}_J = \text{diag}(C_{J1}, C_{J2})$, we find $\mathbf{C}_{\text{tot}} = \mathbf{C} + \mathbf{C}_J$, $\mathbf{C}_{JV} = \mathbf{C}$, $\mathbf{C}_{JL} = \mathbf{C}_{LV}^T = (C_1, C_2)^T$, and $\mathbf{C}_L = C_1 + C_2$. The vector $\bar{\mathbf{m}}$ consists of the two parts $\mathbf{m}_J = \mathbf{C}$ and $\mathbf{m}_L = (C_1 C_2)$. With Eq. (36) and the inverse of the total capacitance matrix,

$$\mathbf{C}^{-1} = \frac{1}{\gamma} \begin{pmatrix} (C_1 + C_2)C_{J2} - C_2^2 & C_1 C_2 & -C_1 C_{J2} \\ C_1 C_2 & (C_1 + C_2)C_{J1} - C_1^2 & -C_2 C_{J1} \\ -C_1 C_{J2} & -C_2 C_{J1} & C_{J1} C_{J2} \end{pmatrix} \equiv \begin{pmatrix} C_{\text{eff},1}^{-1} & C_{\text{eff},12}^{-1} & C_{\text{eff},L1}^{-1} \\ C_{\text{eff},12}^{-1} & C_{\text{eff},2}^{-1} & C_{\text{eff},L2}^{-1} \\ C_{\text{eff},L1}^{-1} & C_{\text{eff},L2}^{-1} & C_{\text{eff},L}^{-1} \end{pmatrix}, \quad (57)$$

where $\gamma = (C_1 + C_2)C_{J1}C_{J2} - C_1^2 C_{J2} - C_2^2 C_{J1}$, the Hamiltonian of the coupled system can be written as

$$\begin{aligned}
\mathcal{H}_S = & \sum_{i=1,2} \left(\frac{(Q_{J_i} + C_i V_i)^2}{2C_{\text{eff},i}} + E_{J_i} \cos \varphi_i \right) \\
& + \frac{(Q_L + C_1 V_1 + C_2 V_2)^2}{2C_{\text{eff},L}} + \frac{\Phi_L^2}{2L} \\
& + \frac{(Q_{J_1} + C_1 V_1)(Q_{J_2} + C_2 V_2)}{C_{\text{eff},12}} \\
& - \sum_{i=1,2} \frac{(Q_{J_i} + C_i V_i)(Q_L + C_1 V_1 + C_2 V_2)}{C_{\text{eff},Li}}. \quad (58)
\end{aligned}$$

While the last term in Eq. (58) couples each qubit to the LC mode associated with the inductor L , and is thus responsible for the inductive coupling of the qubits, the second to last term provides a direct capacitive coupling between the qubits. In the limit $C_i \ll C_{J_i}$, we reproduce the results of Ref. 1; however, there are additional terms of order C_i/C_{J_i} , in particular the new term $\propto 1/C_{\text{eff},12}$ in the Hamiltonian that capacitively couples the qubits directly. Since the coupled system involves at least four levels (more if excited states of the LC coupling circuit or higher qubit levels are included), it can no longer be described by a two-level Bloch equation with parameters T_1 and T_2 . We can, however, fix one of the qubits to be in a particular state, say $|0\rangle$, and then look at the “decoherence rates” of the other qubit. To lowest order in C_i/C_{J_i} , these rates due to the impedance Z_i have the form [$q_i = C_i/(C_1 + C_2)$]

$$\frac{1}{T_1} = 2\pi q_i^2 4 |\langle 00|n_L|10\rangle|^2 \frac{4 \text{Re } Z_i(\omega_{01})}{R_Q} \omega_{01} \coth \frac{\hbar \omega_{01}}{2k_B T}, \quad (59)$$

$$\frac{1}{T_\phi} = 2\pi q_i^2 4 |\langle 00|n_L|00\rangle - \langle 10|n_L|10\rangle|^2 \frac{4 \text{Re } Z_i(0)}{R_Q} \frac{2k_B T}{\hbar}. \quad (60)$$

ACKNOWLEDGMENTS

Valuable discussions with David DiVincenzo are gratefully acknowledged.

APPENDIX A: DERIVATION OF THE EQUATIONS OF MOTION

This appendix contains the derivation of Eq. (19). Note, first, that the externally applied magnetic flux Φ_x only threads loops with a finite self-inductance (i.e., those pertaining to a chord inductor, K), and not, e.g., the circuit loop formed by a junction J and its junction capacitance C_J , therefore $\Phi_x \equiv (\Phi_{C_J}^x, \Phi_C^x, \Phi_K^x) = (\mathbf{0}, \mathbf{0}, \Phi_K^x)$. Using this fact and Eqs. (5) (capacitance part) and (11), we obtain

$$\begin{aligned}
\frac{\Phi_0}{2\pi} \mathbf{F}_{JC}^T \dot{\boldsymbol{\varphi}} &= \mathbf{V}_C - \mathbf{F}_{LC}^T \mathbf{V}_L - \mathbf{F}_{VC}^T \mathbf{V}_V - \mathbf{F}_{ZC}^T \mathbf{V}_Z \\
&= \mathbf{C}^{-1} \mathbf{Q}_C - \mathbf{F}_{LC}^T \dot{\boldsymbol{\Phi}}_L - \mathbf{F}_{VC}^T \mathbf{V}_V - \mathbf{F}_{ZC}^T * \mathbf{I}_Z, \quad (A1)
\end{aligned}$$

multiply this equation by $\mathbf{F}_{JC} \mathbf{C}$, and use Eq. (4) (impedance part), with the result

$$\begin{aligned}
\frac{\Phi_0}{2\pi} \mathbf{F}_{JC} \mathbf{C} \mathbf{F}_{JC}^T \dot{\boldsymbol{\varphi}} &= \mathbf{F}_{JC} \mathbf{Q}_C - \mathbf{F}_{JC} \mathbf{C} \mathbf{F}_{LC}^T \dot{\boldsymbol{\Phi}}_L - \mathbf{F}_{JC} \mathbf{C} \mathbf{F}_{VC}^T \mathbf{V}_V \\
&\quad - \mathbf{F}_{JC} \mathbf{C} \mathbf{F}_{ZC}^T \mathbf{Z} \mathbf{F}_{ZC} * \dot{\mathbf{Q}}_C. \quad (A2)
\end{aligned}$$

Then we make use of Eq. (4) (Josephson part) and obtain

$$\frac{\Phi_0}{2\pi} \mathbf{C}_{\text{tot}} \dot{\boldsymbol{\varphi}} = -\mathbf{Q}_J - \mathbf{F}_{JK} \mathbf{Q}_K - \mathbf{C}_{JL} \dot{\boldsymbol{\Phi}}_L - \mathbf{C}_{JV} \mathbf{V}_V - \mathbf{F}_{JC} \mathbf{C}_Z * \mathbf{V}_C, \quad (A3)$$

where we have defined the frequency-dependent capacity $\mathbf{C}_Z(\omega) = i\omega \mathbf{C} \mathbf{F}_{ZC}^T \mathbf{Z}(\omega) \mathbf{F}_{ZC} \mathbf{C}$ and

$$\mathbf{C}_{\text{tot}} = \mathbf{C}_J + \mathbf{F}_{JC} \mathbf{C} \mathbf{F}_{JC}^T, \quad (A4)$$

$$\mathbf{C}_{JL} = \mathbf{F}_{JC} \mathbf{C} \mathbf{F}_{LC}^T, \quad (A5)$$

$$\mathbf{C}_{JV} = \mathbf{F}_{JC} \mathbf{C} \mathbf{F}_{VC}^T. \quad (A6)$$

We find that $\mathbf{C}_Z(\omega)$ is a symmetric matrix since both \mathbf{C} and \mathbf{Z} are symmetric. Using Eq. (5) (capacitance part) again, we obtain

$$\mathbf{F}_{LC}^T \dot{\boldsymbol{\Phi}}_L = \mathbf{C}^{-1} \mathbf{Q}_C - \frac{\Phi_0}{2\pi} \mathbf{F}_{JC}^T \dot{\boldsymbol{\varphi}} - \mathbf{F}_{VC}^T \mathbf{V}_V - \mathbf{F}_{ZC}^T * \mathbf{I}_Z, \quad (A7)$$

which we multiply with $\mathbf{F}_{LC} \mathbf{C}$, with the result

$$\begin{aligned}
\mathbf{F}_{LC} \mathbf{C} \mathbf{F}_{LC}^T \dot{\boldsymbol{\Phi}}_L &= \mathbf{F}_{LC} \mathbf{Q}_C - \frac{\Phi_0}{2\pi} \mathbf{F}_{LC} \mathbf{C} \mathbf{F}_{JC}^T \dot{\boldsymbol{\varphi}} - \mathbf{F}_{LC} \mathbf{C} \mathbf{F}_{VC}^T \mathbf{V}_V \\
&\quad - \mathbf{F}_{LC} \mathbf{C} \mathbf{F}_{ZC}^T \mathbf{Z} \mathbf{F}_{ZC} * \dot{\mathbf{Q}}_C. \quad (A8)
\end{aligned}$$

With the definitions $\mathbf{C}_L = \mathbf{F}_{LC} \mathbf{C} \mathbf{F}_{LC}^T$ and $\mathbf{C}_{LV} = \mathbf{F}_{LC} \mathbf{C} \mathbf{F}_{VC}^T$, we find

$$\mathbf{C}_L \dot{\boldsymbol{\Phi}}_L = -\mathbf{Q}_L - \mathbf{F}_{LK} \mathbf{Q}_K - \frac{\Phi_0}{2\pi} \mathbf{C}_{JL}^T \dot{\boldsymbol{\varphi}} - \mathbf{C}_{LV} \mathbf{V}_V - \mathbf{F}_{LC} \mathbf{C}_Z * \mathbf{V}_C. \quad (A9)$$

Equations (A3) and (A9) are rewritten in a more compact form in Eq. (19).

APPENDIX B: SYSTEM-BATH DYNAMICS

In this section, the form of the system-bath coupling operator \mathcal{H}_{SB} and its spectral density $J(\omega)$, Eqs. (39) and (40), are derived in detail.

We first inspect the Hamilton equations for the bath coordinates,

$$\dot{x}_\alpha = \frac{\partial \mathcal{H}}{\partial p_\alpha} = \frac{p_\alpha}{m_\alpha}, \quad (\text{B1})$$

$$\dot{p}_\alpha = -\frac{\partial \mathcal{H}}{\partial x_\alpha} = -m_\alpha \omega_\alpha^2 x_\alpha - c_\alpha \bar{\mathbf{m}} \cdot \mathcal{C}^{-1} \mathbf{Q}, \quad (\text{B2})$$

then take their derivative with respect to time, and solve them in Fourier space. We obtain

$$x_\alpha(\omega) = \frac{c_\alpha \bar{\mathbf{m}} \cdot \mathcal{C}^{-1} \mathbf{Q}}{m_\alpha(\omega^2 - \omega_\alpha^2)}, \quad (\text{B3})$$

$$p_\alpha(\omega) = m_\alpha i \omega x_\alpha(\omega) = \frac{i \omega c_\alpha \bar{\mathbf{m}} \cdot \mathcal{C}^{-1} \mathbf{Q}}{\omega^2 - \omega_\alpha^2}. \quad (\text{B4})$$

Next, we look at the Hamilton equations for the system coordinates,

$$\dot{\Phi} = \frac{\partial \mathcal{H}}{\partial \mathbf{Q}} = \mathcal{C}^{-1} \left(\mathbf{Q} + \bar{\mathbf{m}} \sum_\alpha c_\alpha x_\alpha \right), \quad (\text{B5})$$

$$\dot{\mathbf{Q}} = -\frac{\partial \mathcal{H}}{\partial \Phi} = -\frac{\partial U}{\partial \Phi}. \quad (\text{B6})$$

Combining Eqs. (B5) and (B6) with Eqs. (B1) and (B4), we obtain

$$\mathcal{C} \ddot{\Phi} = -\frac{\partial U}{\partial \Phi} + \bar{\mathbf{m}} \sum_\alpha c_\alpha \frac{p_\alpha}{m_\alpha} = -\frac{\partial U}{\partial \Phi} - K * \bar{\mathbf{m}} (\bar{\mathbf{m}} \cdot \mathcal{C}^{-1} \dot{\mathbf{Q}}), \quad (\text{B7})$$

where

$$K(\omega) = -\sum_\alpha \frac{c_\alpha^2}{\omega^2 - \omega_\alpha^2} \quad (\text{B8})$$

directly determines the bath spectral density

$$J(\omega) = \frac{\pi}{2} \sum_\alpha \frac{c_\alpha^2}{m_\alpha \omega_\alpha} \delta(\omega - \omega_\alpha) = -\text{Im} K(\omega). \quad (\text{B9})$$

By comparing Eq. (B7) with Eq. (33), we find

$$\mathcal{C}_d(\omega) = K(\omega) \bar{\mathbf{m}} \bar{\mathbf{m}}^T. \quad (\text{B10})$$

- ¹Y. Makhlin, G. Schön, and A. Shnirman, *Rev. Mod. Phys.* **73**, 357 (2001).
- ²M. H. Devoret, A. Wallraff, and J. M. Martinis, “*Superconducting Qubits: A Short Review*,” e-print cond-mat/0411174.
- ³A. Shnirman, G. Schön, and Z. Hermon, *Phys. Rev. Lett.* **79**, 2371 (1997).
- ⁴D. V. Averin, *Solid State Commun.* **105**, 659 (1998).
- ⁵Y. Makhlin, G. Schön, and A. Shnirman, *Nature (London)* **398**, 305 (1999).
- ⁶Y. Nakamura, Yu. A. Pashkin, and J. S. Tsai, *Nature (London)* **398**, 786 (1999).
- ⁷D. Vion, A. Aassime, A. Cottet, P. Joyez, H. Pothier, C. Urbina, D. Esteve, and M. H. Devoret, *Science* **296**, 886 (2002).
- ⁸A. Pashkin, T. Yamamoto, O. Astafiev, Y. Nakamura, D. V. Averin, and J. S. Tsai, *Nature (London)* **421**, 823 (2003).
- ⁹J. E. Mooij, T. P. Orlando, L. Levitov, L. Tian, C. H. van der Wal, and S. Lloyd, *Science* **285**, 1036 (1999).
- ¹⁰T. P. Orlando, J. E. Mooij, L. Tian, C. H. van der Wal, L. Levitov, S. Lloyd, and J. J. Mazo, *Phys. Rev. B* **60**, 15 398 (1999).
- ¹¹C. H. van der Wal, A. C. J. ter Har, F. K. Wilhelm, R. N. Schouten, C. J. P. M. Harmans, T. P. Orlando, S. Lloyd, and J. E. Mooij, *Science* **290**, 773 (2000).
- ¹²I. Chiorescu, Y. Nakamura, C. J. P. M. Harmans, and J. E. Mooij, *Science* **299**, 1869 (2003).
- ¹³A third variant of SC qubits, operating in the regime $E_J \gg E_C$, are the phase qubits.^{14,15} For the Josephson phase qubit,¹⁵ decoherence due to bias noise and junction resonators was studied in Refs. 16 and 17.
- ¹⁴L. B. Ioffe, V. B. Geshkenbein, M. V. Feigelman, A. L. Fauchère, and G. Blatter, *Nature (London)* **398**, 679 (1999).
- ¹⁵J. M. Martinis, S. Nam, J. Aumentado, and C. Urbina, *Phys. Rev. Lett.* **89**, 117901 (2002).
- ¹⁶J. M. Martinis, S. Nam, J. Aumentado, K. M. Lang, and C.

Urbina, *Phys. Rev. B* **67**, 094510 (2003).

- ¹⁷R. W. Simmonds, K. M. Lang, D. A. Hite, S. Nam, D. P. Pappas, and John M. Martinis, *Phys. Rev. Lett.* **93**, 077003 (2004).
- ¹⁸L. Tian, L. S. Levitov, J. E. Mooij, T. P. Orlando, C. H. van der Wal, and S. Lloyd, in *Quantum Mesoscopic Phenomena and Mesoscopic Devices in Microelectronics*, edited by I. O. Kulik and R. Ellialtioglu (Kluwer, Dordrecht, 2000), pp. 429–438.
- ¹⁹L. Tian, S. Lloyd, and T. P. Orlando, *Phys. Rev. B* **65**, 144516 (2002).
- ²⁰C. H. van der Wal, F. K. Wilhelm, C. J. P. M. Harmans, and J. E. Mooij, *Eur. Phys. J. B* **31**, 111 (2003).
- ²¹M. H. Devoret, in *Quantum Fluctuations*, Lecture Notes of the 1995 Les Houches Summer School, edited by S. Reynaud, E. Giacobino, and J. Zinn-Justin (Elsevier, The Netherlands, 1997), p. 351.
- ²²G. Burkard, R. H. Koch, and D. P. DiVincenzo, *Phys. Rev. B* **69**, 064503 (2004).
- ²³G. Burkard, D. P. DiVincenzo, P. Bertet, I. Chiorescu, and J. E. Mooij, e-print cond-mat/0405273.
- ²⁴Y. Makhlin and A. Shnirman, *Phys. Rev. Lett.* **92**, 178301 (2004).
- ²⁵R. Fazio, G. M. Palma, and J. Siewert, *Phys. Rev. Lett.* **83**, 5385 (1999).
- ²⁶J. Q. You, C.-H. Lam, and H. Z. Zheng, *Phys. Rev. B* **63**, 180501(R) (2001).
- ²⁷G. Burkard and F. Brito, e-print cond-mat/0408001.
- ²⁸Current bias sources shunted with an impedance Z can be included as well, using Norton’s theorem to replace them with a voltage source with the same impedance Z in series, with applied voltage $V=Z(0)I$ for a dc current bias I .
- ²⁹A. O. Caldeira and A. J. Leggett, *Ann. Phys. (N.Y.)* **143**, 374 (1983).
- ³⁰A. G. Redfield, *IBM J. Res. Dev.* **1**, 19 (1957).